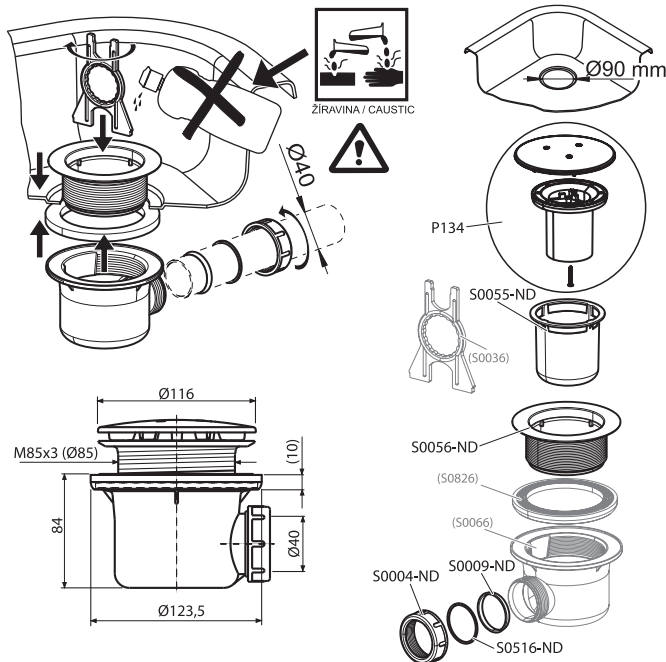


Sifon RAVAK Professional 90 chrom

CZ Sifon RAVAK Professional 90 chrom
D Siphon RAVAK Professional 90 chrome
ES Sifon RAVAK Professional 90 cromo
FR Siphon RAVAK Professional 90 chromé
GB Siphon RAVAK Professional 90 chrome
HU Szifon RAVAK Professional 90 - króm

PL Syfon RAVAK Professional 90 chrom
RO Sifon RAVAK Professional 90 cromat
RU Сифон RAVAK Professional 90 хром
SK Sifón RAVAK Professional 90, chróm
UA Сифон RAVAK Professional 90 хром



114/RT/01/20/S1081

RAVAK®

RAVAK a.s., Obecnická 285, 261 01 Příbram I
 tel: +420 318 427 200, 318 427 111 fax: +420 318 427 269
 e-mail: info@ravak.cz, www.ravak.com